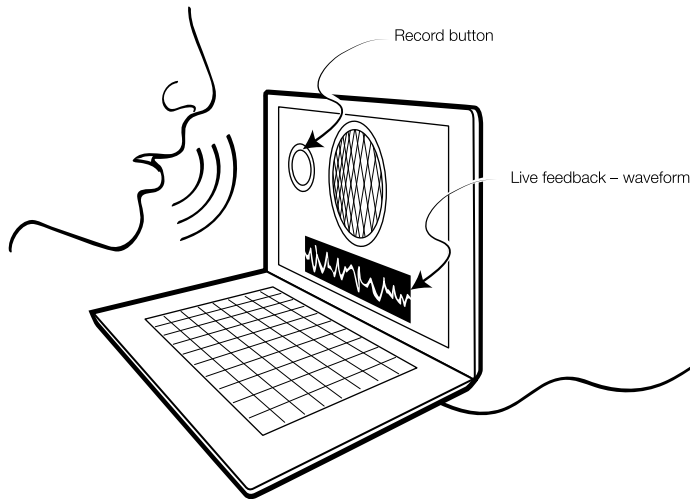


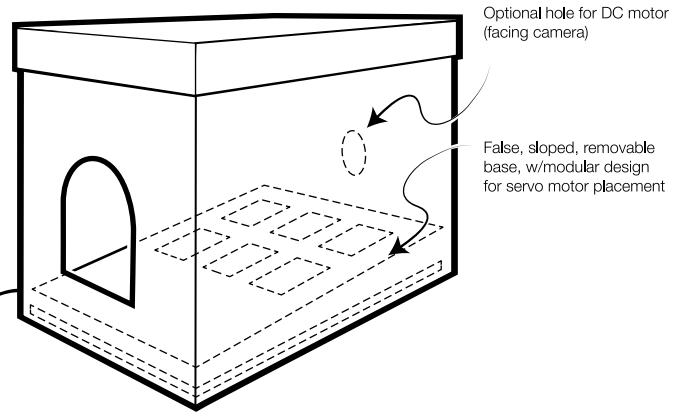
The Box o' Secrets: a Device for Visualizing your Secrets

Design Layout

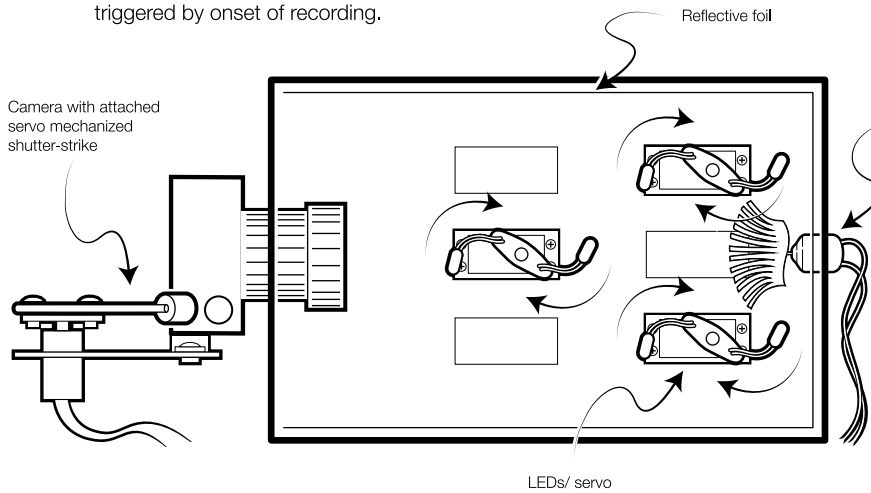
1) Recording station: interface that mimics radio transmitter



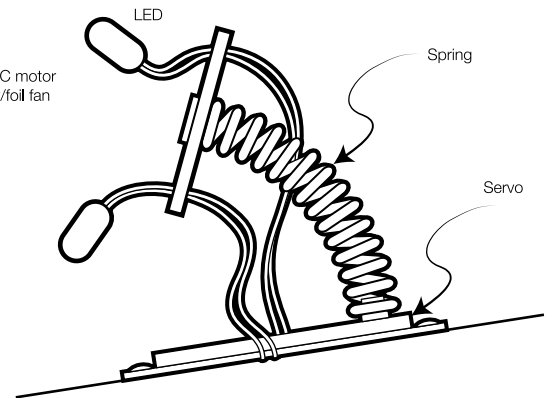
2) Lidded black box lined with reflective foil. 12"x16"x15", removable false base, Large hole in one end for camera lens, optional small hole in opposite end for DC motor.



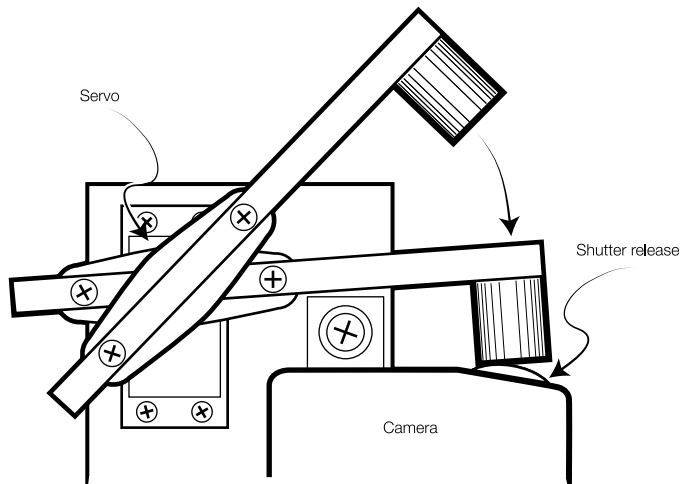
3) Top cutaway of Box o' Secrets, camera in place. Movement of LEDs and camera shutter via servos, triggered by onset of recording.



4) Closeup of spring-mounted LEDs attached to servo, which is secured to base.



5) Mechanism for time lapse shutter release, triggered by onset of recording.



6) Once the recording is stopped, the camera shutter is closed and the resulting photo is downloaded to a remote server (ideally) for automatic upload to a tumblr page, where the user can see her 'secret', with the option to keep as a memento.

