

# Bookbinding for Zines

© 2012 Jacob Degeling, All Rights Reserved

Resources assembled by Marta Chudolinska, Learning Zone Librarian

OCAD University

Rachael Ashe



<http://rachaelashe.com/2012/02/15/the-completed-sketchbook-project-thread-and-surface/>



Amy Gizenski

<http://www.flickr.com/photos/agizenski/5749296878/in/photostream/>





## A Beautiful Mess blog

[http://abeautifulmess.typepad.com/my\\_weblog/2012/04/how-to-make-a-lace-patterned-notebook.html](http://abeautifulmess.typepad.com/my_weblog/2012/04/how-to-make-a-lace-patterned-notebook.html)



# What Will We Do Today blog

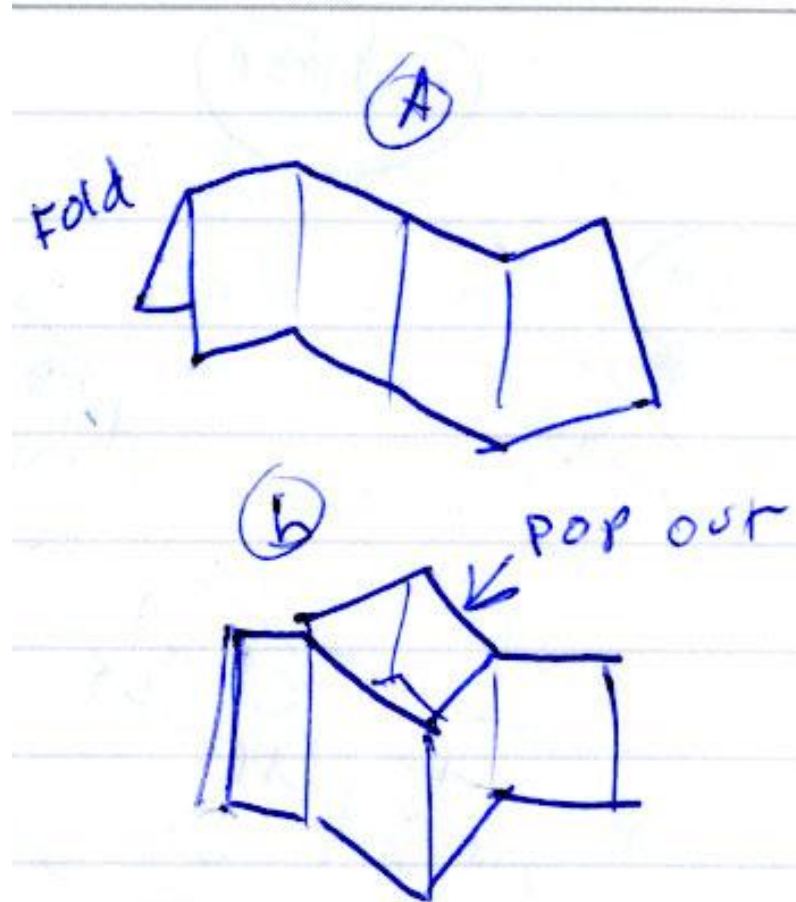


<http://whatwillwedotoday.com/2012/07/19/how-to-make-a-little-bitty-button-book/>



# Book 1!

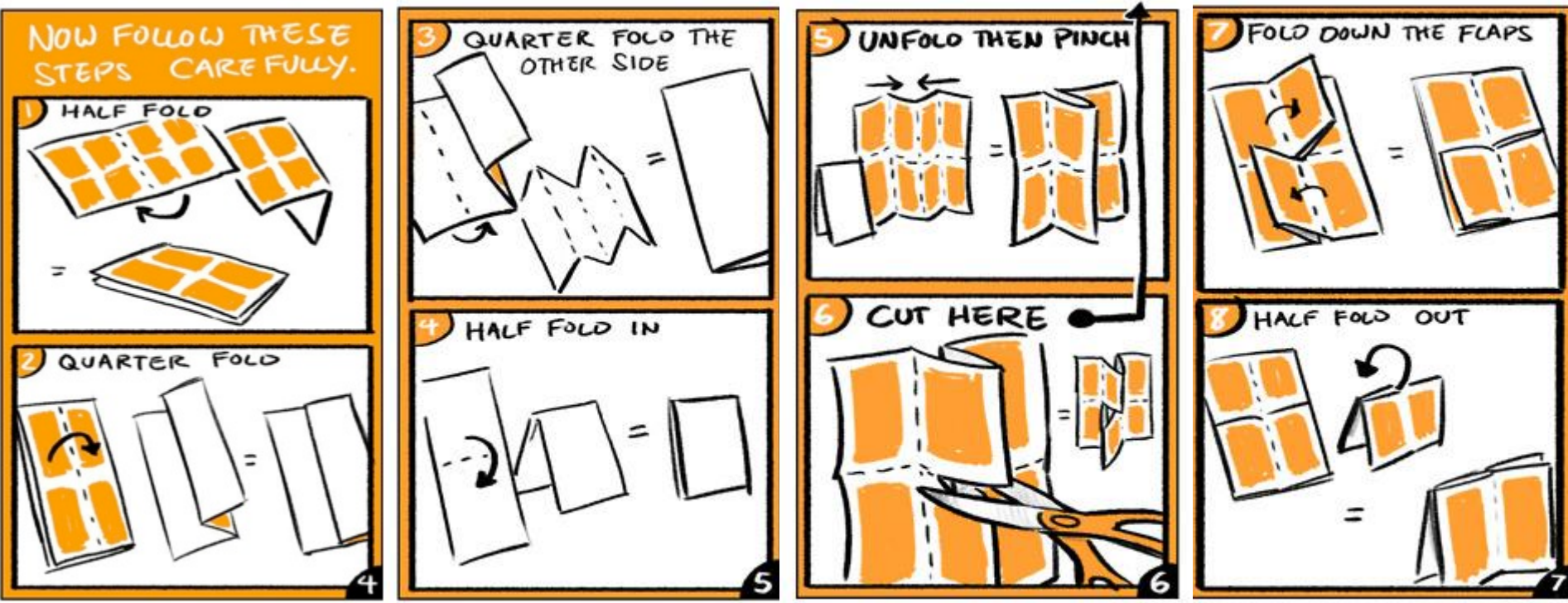
## One page no-staple zine



<http://www.cartoonistsleague.org/how-to-make-a-no-staple-mini-comic-or-zine/>

# Book 1!

## One page no-staple zine Version 2

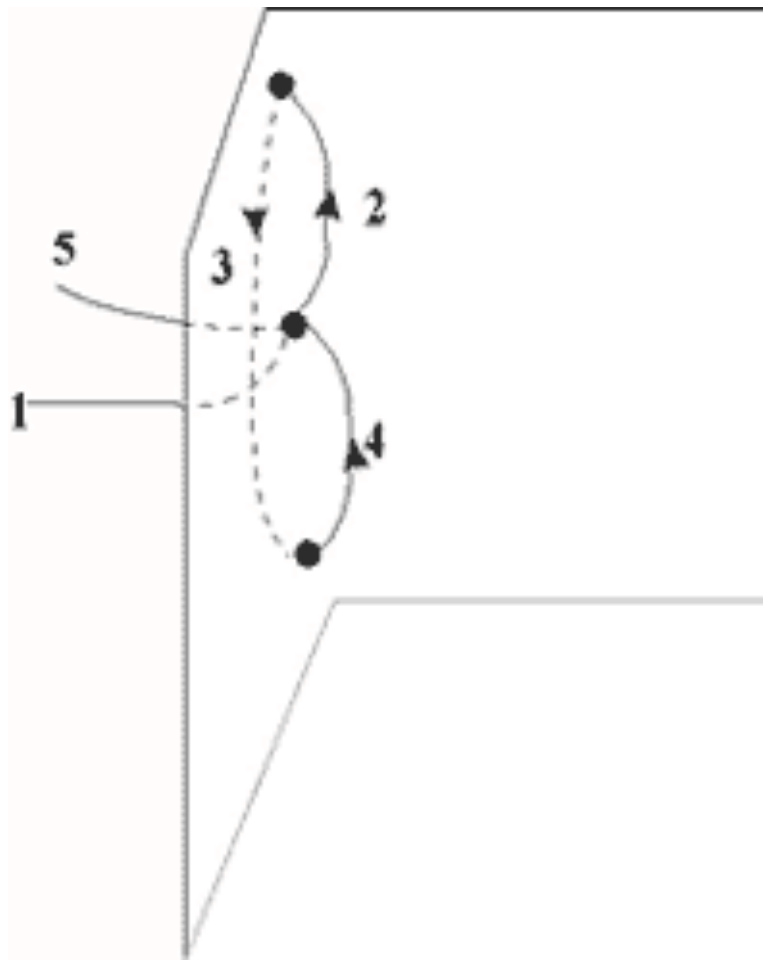


Pseudofolio

<http://psuedofolio.tumblr.com/post/23073672643>

# Book 2!

## Pamphlet Stitch



<http://culturemobile.wordpress.com/2010/10/20/pamphlet-stitch/>





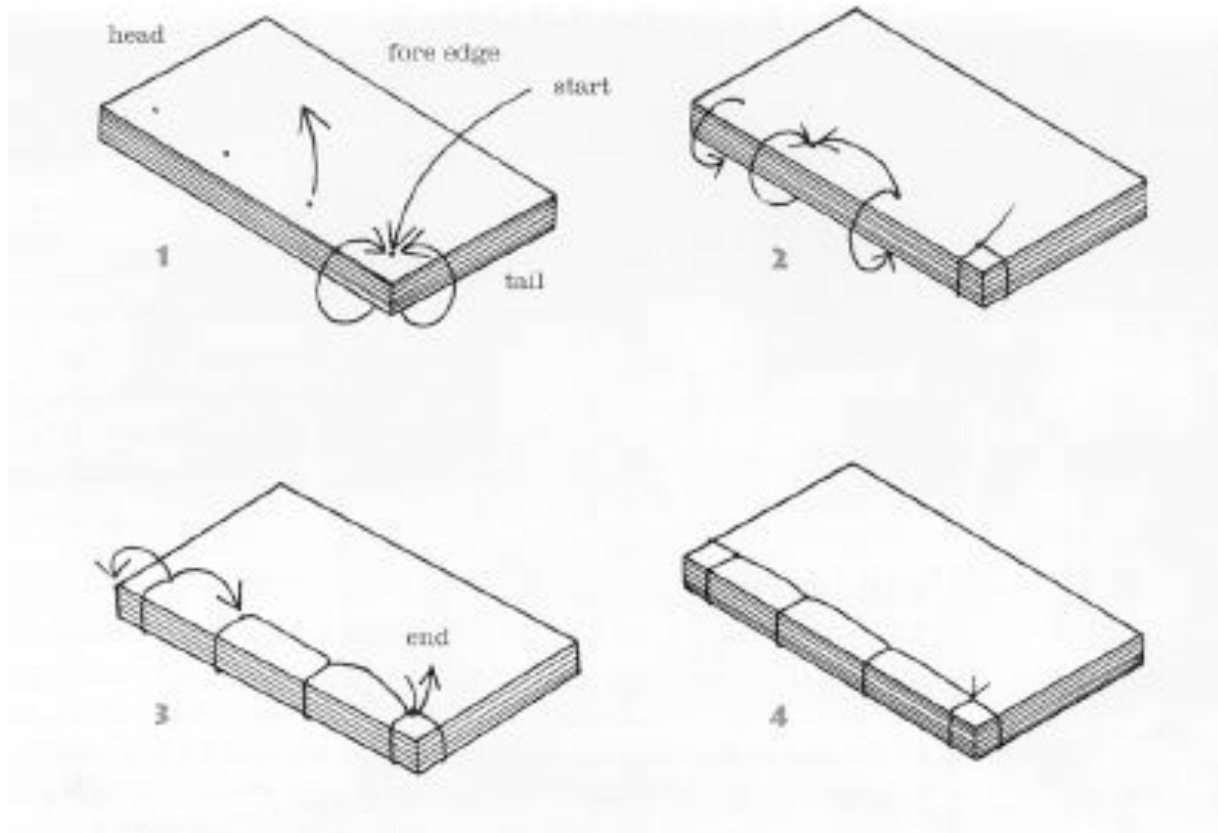
DIY  
from  
cereal  
boxes

Crème de la Craft blog

<http://www.cremedelacraft.com/2012/06/diy-mini-notebook-from-cereal-box.html>

# Book 3!

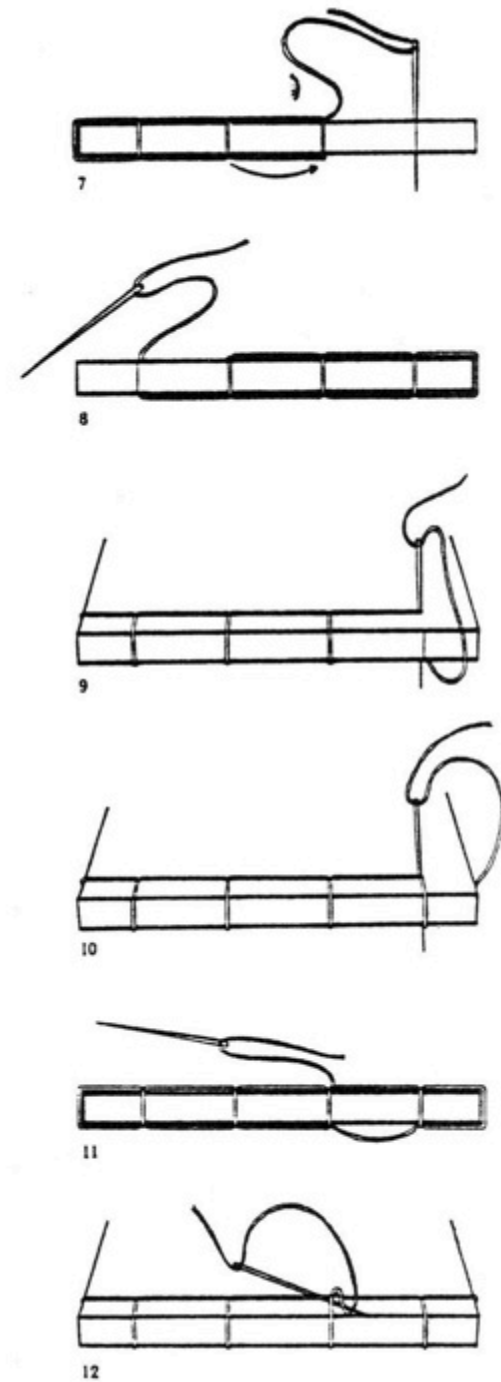
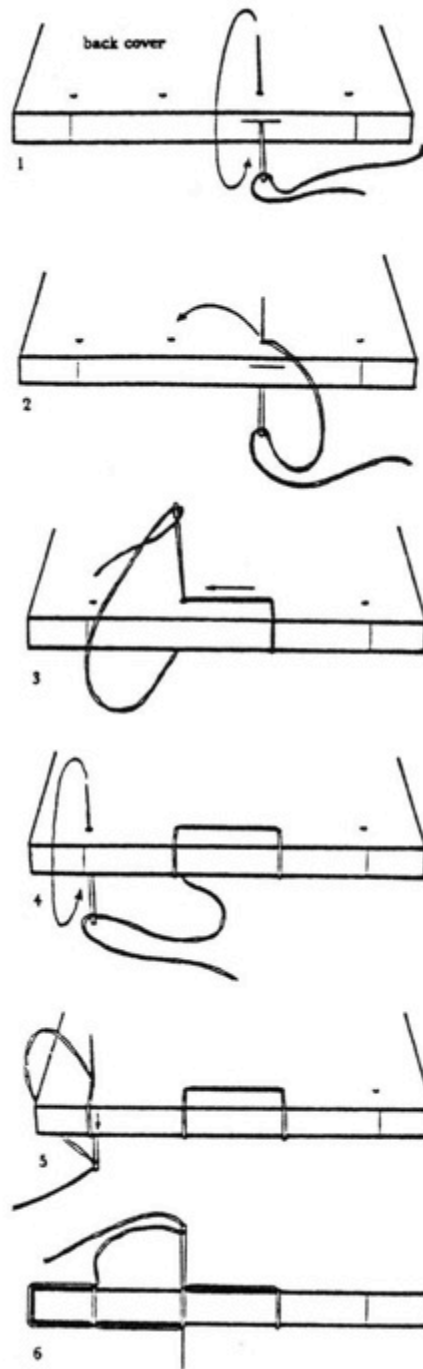
## Japanese Stab Binding



<http://lbforques.blogspot.ca/2011/06/stab-binding-tutorial.html>

Jessica Marquez

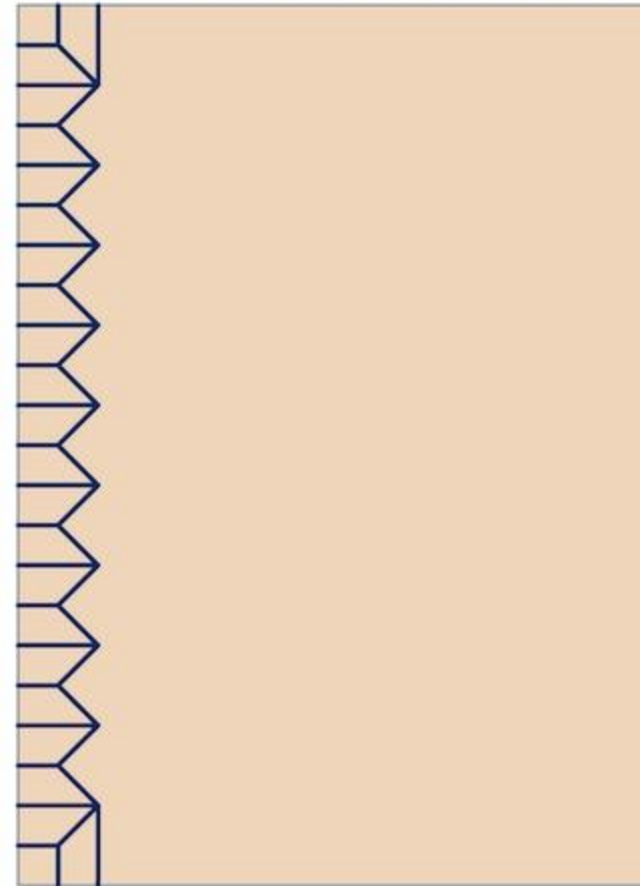
<http://thenewnew.blogspot.co.uk/2008/12/four-hole-binding-how-to.html>







## STITCHING PATTERN

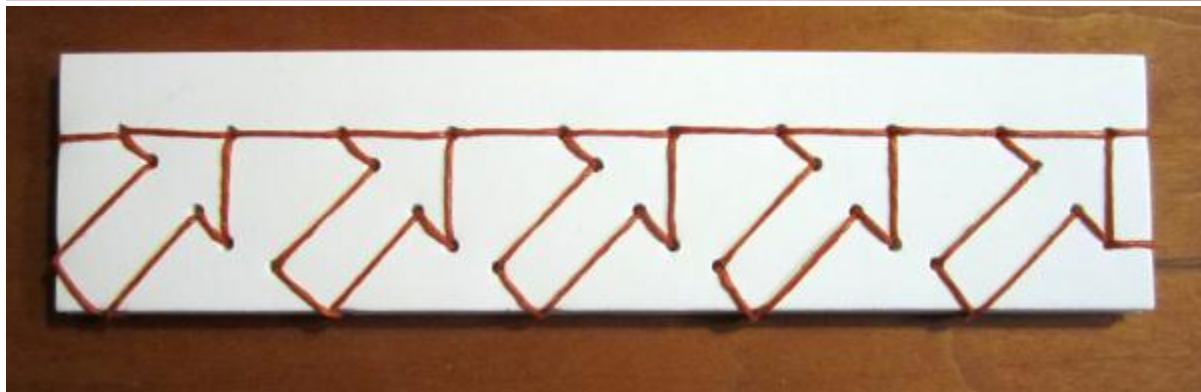




Erin Zamrzia

<http://www.etsy.com/listing/27896654/kit-japanese-binding-kit-and-tutorial>





Becca Hirsbrunner

<http://beccamakingfaces.com/tag/sewing-pattern/>